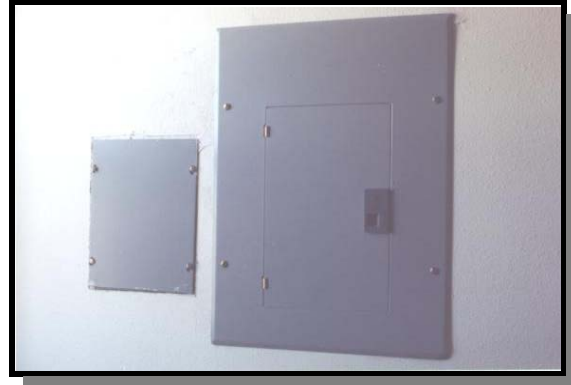




BEFORE (during construction)



AFTER (finished panelizing)

X-10 Hard-wired Notification System Unit (#WST600)

A pre-wired & pre-assembled HWNS unit box which can handles up to 10 dedicated flashing wall-mounted lamps (60W bulb each) to reduce the numbers of portable lamp receivers in each rooms. Great for installing HWNS unit box in your brand new home **during** under construction or remodeling! The size on the wall-cut-out for HWNS unit box "inside" dimension is 10" x 10" x 4". Approx shipping weight is 14 lbs.

Prices:

- \$399.00 (#WST600)
- \$22.50 for shipping/handling
- One System unit box
- One Doorbell (Chime) Transmitter
- One Telephone Transmitter
- Two Lamp Module Receivers
- One "Y" Jack & 5" phone wire jumper
- Installation user manual (16 pages)
- Optional Videophone (VP1) Transmitter
- Optional Baby Cry Transmitter
- Optional **TTYSCREENER**
- One year warranty
- Technical support available

Order:

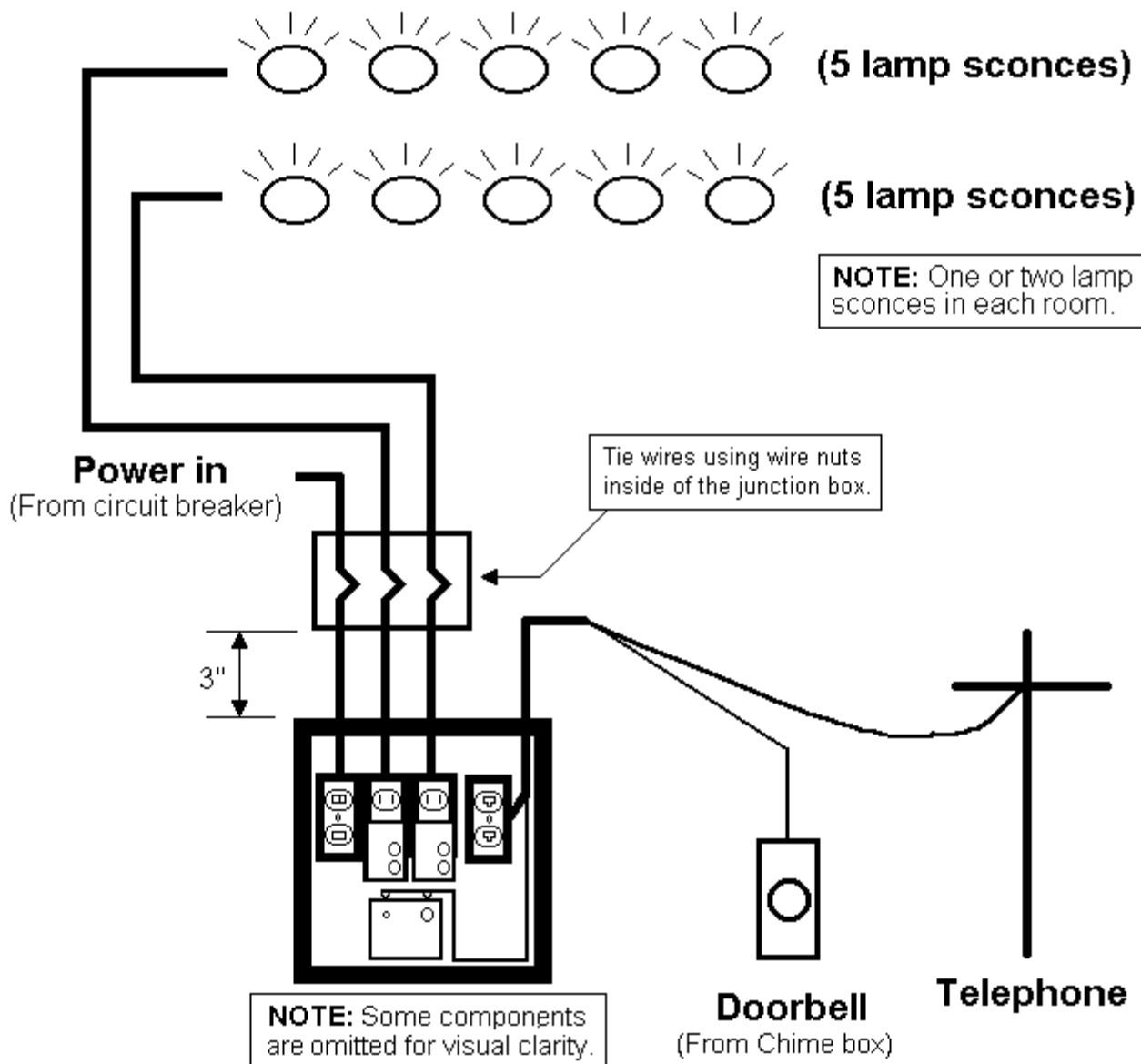
- Charge cards (Discover/ MC/VISA), Qualifying Purchase Order, Check, Money Order to:

DEAFWORKS

P.O. Box 1265
Provo, UT 84603-1265

TTY: (801) 465-1957
FAX: (801) 465-1958
x10@deafworks.com
www.deafworks.com

Basic HWNS Installation #WST600 (10 Lamps)



The DEAFWORKS Co.
P.O. Box 1265
Provo, UT 84603-1265
TTY: (801) 465-1957
FAX: (801) 465-1958
x10@deafworks.com